



I-8051W

16-Channel Non-Isolated Digital Input Module

Features

- 16-channel Digital Input
- Source-type Digital Input
- All Channels Non-isolated
- Long-distance Measurement
- 4 kV ESD Protection
- Wide Operating Temperature Range: -25 ~ +75 °C



Introduction

The I-8051W is a 16-channel Digital Input module for dry contact wire connections with an effective distance of up to 500 meters. All channels 4 kV ESD protection is provided. The I-8051W also includes 16 LED indicators that can be used to monitor the status of the Digital Input channels.

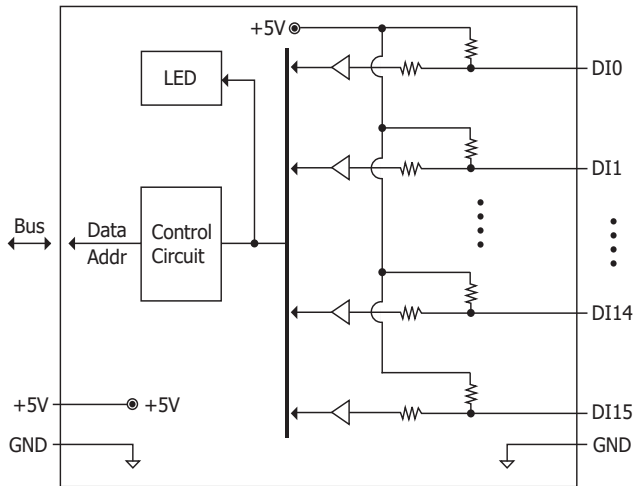
System Specifications

LED Indicators	
System LED Indicator	1 LED as Power Indicator
I/O LED Indicator	16 LEDs as I/O Status Indicator
Isolation	
Intra-module Isolation, Field-to-Logic	-
EMS Protection	
ESD (IEC 61000-4-2)	±4 kV Contact for each Terminal
Power	
Consumption	1.1 W Max
Mechanical	
Dimensions (W x L x H)	30 mm x 102 mm x 115 mm
Environment	
Operating Temperature	-25 ~ +75 °C
Storage Temperature	-30 ~ +85 °C
Humidity	5 ~ 95 % RH, Non-condensing

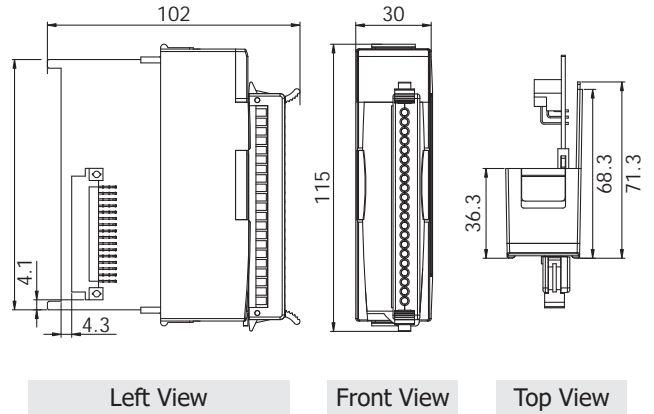
I/O Specifications

Digital Input	
Channels	16
Type	Dry Contact
Sink/Source (NPN/PNP)	Source
ON Voltage Level	Connect to GND
OFF Voltage Level	Open
Effective Distance	500 m Max.

Internal I/O Structure



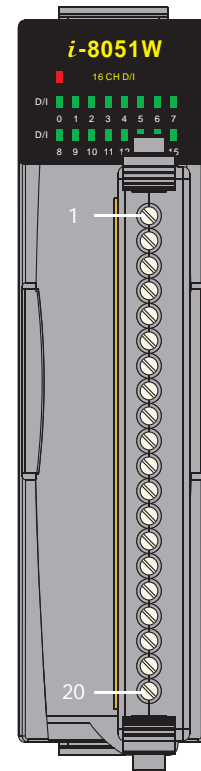
Dimensions (Units: mm)



Wire Connections

Input Type	ON State Readback as 1	OFF State Readback as 0
Relay Contact	Relay ON 	Relay OFF
	Voltage > 10 V 	Voltage < 4 V
Open Collector	Open Collector ON 	Open Collector OFF

Pin Assignments



Terminal No.	Pin Assignment
01	DI0
02	DI1
03	DI2
04	DI3
05	DI4
06	DI5
07	DI6
08	DI7
09	DI8
10	DI9
11	DI10
12	DI11
13	DI12
14	DI13
15	DI14
16	DI15
17	GND
18	GND
19	GND
20	GND

Ordering Information

I-8050W-G CR	16-Channel Non-Isolated Digital Input Module (RoHS)
---------------------	---